



# TABLE OF CONTENTS

## 1. Objectives

- *Vision*
- *Mission*

## 2. Corporate Profile

- *Fibreworld*

## 3. Our Key Assets

- *Metropolitan Optic Fibre License*
- *Concession*

## 4. Our Services

- *Layer 2 Fibre*
- *Bulk Internet*

## 5. Network Map

# ***OBJECTIVES***

# VISION & MISSION

## 1. VISION

To be the foremost medium of Voice and Data transfer in Nigeria.

## 2. MISSION

To put in place an efficient Fibre Optics Voice and Data transfer solutions that make effective communication available and affordable for all Nigerians.

# ***CORPORATE PROFILE***

***FibreWorld***

# FIBREWORLD

FibreWorld Telecommunications Network Limited was licensed in May 1<sup>st</sup>, 2003 to provide and operate Metropolitan Fibre Cable Network Services in Nigeria.

The telecommunications industry has struggled with providing accelerated broadband infrastructure which has resulted in the poor rate of information exchange for both voice and data transfer in Nigeria.

In order to bridge the gap in the Telecommunications industry, FibreWorld Telecommunications Network Limited is set to deploy an aerial fibre network.

FibreWorld intends to roll-out aerial fibre network to provide best-in-class broadband to both private and corporate users as well as Enterprise customer service providers.

The logo for FibreWorld, featuring the word "FibreWorld" in a stylized, italicized font. "Fibre" is in red and "World" is in orange.

# ***OUR KEY ASSETS***

***FibreWorld***



# METRO FIBRE LICENSE

Fibreworld, currently has a 20 year Metro Fibre Licence, issued by the Nigerian Communications Commission (“NCC” or “The Commission”), that allows the holder to deploy Fibre Optic networks in all metropolitan cities around Nigeria.

The licence was issued in 2003 and therefore expires in 2023. This Licence is however, automatically renewable provided the Company meets all conditions as set out by the Commission.

With the Concession from IE and the Metro Fibre Licence, Fibreworld can now put into operation, its plan of building an Aerial Fibre Network in Northern Lagos as a first step in achieving its Mission and eventually its Vision.



# CONCESSION

Fibreworld, currently has a 20 year exclusive Concession, as stated in a Concession Agreement (“The Agreement”) executed with Ikeja Electric Plc.

This Concession grants FibreWorld, exclusive rights to all electricity poles of Ikeja Electric for the construction of an Aerial Optic Fibre network.

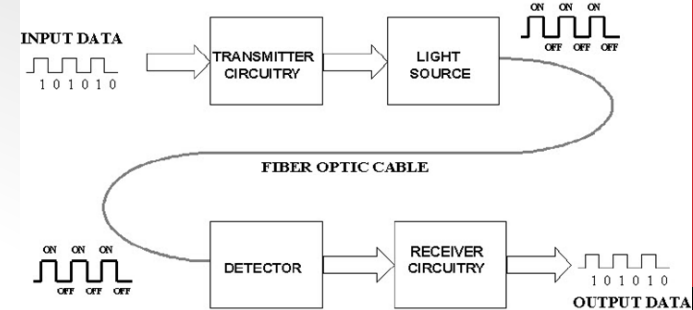
# ***OUR SERVICES***

***FibreWorld***

# LAYER 2 FIBRE (LIT FIBRE)

Lit Fiber service is a large bandwidth connection providing high-speed Internet or data service delivered over fiber optic lines.

Lit Fibre is conversely created when the Dark Fibre is "lit" by the connection of electronic communications equipment to the network. This then creates a network through which Data can be transferred from one Point of Presence (PoP) to another.



Use cases of Lit Fibre Network:	
<ul style="list-style-type: none"> <li>• Leased Bandwidth</li> <li>• IBS/DAS*</li> <li>• Tower Backhaul</li> </ul>	<ul style="list-style-type: none"> <li>• Internet Services</li> <li>• Connect offices across multiple geographies</li> <li>• Wi-Fi in public areas</li> </ul>

## Kinds of Offerings

- 1 Last Mile Connectivity
- 2 Tower Backhaul
- 3 P2P Services
- 4 Internet/WiFi

## Types of Deals

- Annual Service Contract**
- Common Features:
- Data Plans and Internet Speed mentioned
  - Renewal of Annual contracts (~ 1 Years)
  - Change of price every year
- Monthly Service Plan**
- Common Features:
- Data Plans and Internet Speed mentioned
  - Renewal of Monthly contracts (~ 1 Month)
  - Change of price every year

## Potential Customer Type

- 1 2 Telecom Operator
- 1 ISPs
- 4 Public/Recreational Areas
- 1 3 4 Large Corporates
- 4 Residential Estates



# BULK INTERNET

Fibreworld provides your business with secure and direct access to the internet across the globe.

The Fibreworld platform offers direct access to a submarine cable system and is directly peered with local and leading global Internet Exchange Points as well as Tier-1 networks.

# INFRASTRUCTURE DELIVERY

FibreWorld has spent the last 6 months developing the first phase of its Network. This first phase is located in the following areas:

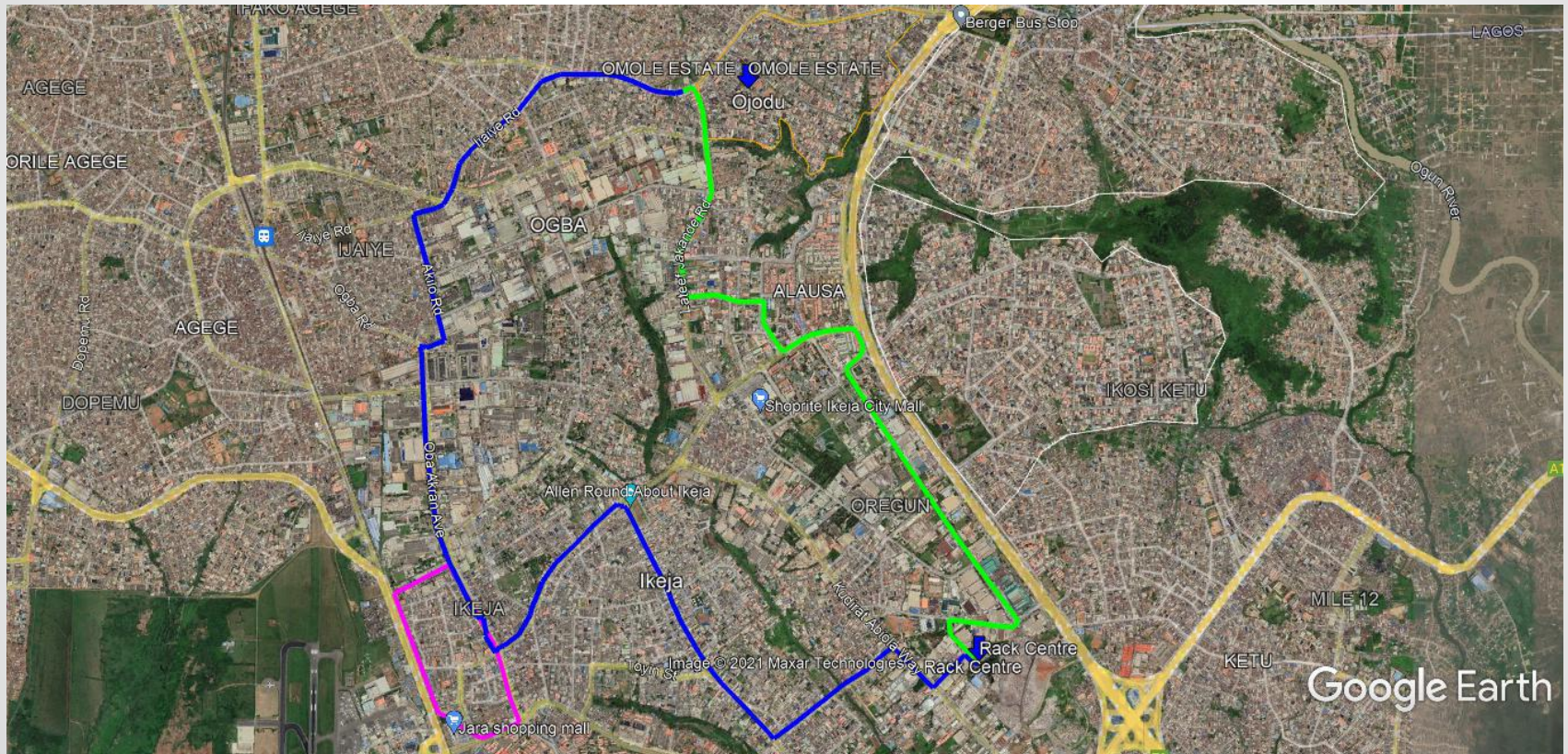
- Alausa
- Allen Avenue
- Obafemi Awolowo Way
- Oba Akran
- Lagos Ibadan Expressway

We expect to commence expansion to other areas within Northern Lagos **1Q2022**

# ***NETWOK MAP***



# NETWORK MAP





# CONTACT DETAILS

FibreWorld Telecommunications Networks Limited

8 Augustine Anozie Street

Lekki I, Lagos

Email - [commercialmanager@fibreworld.net](mailto:commercialmanager@fibreworld.net)

Phone - +234 810 725 0417